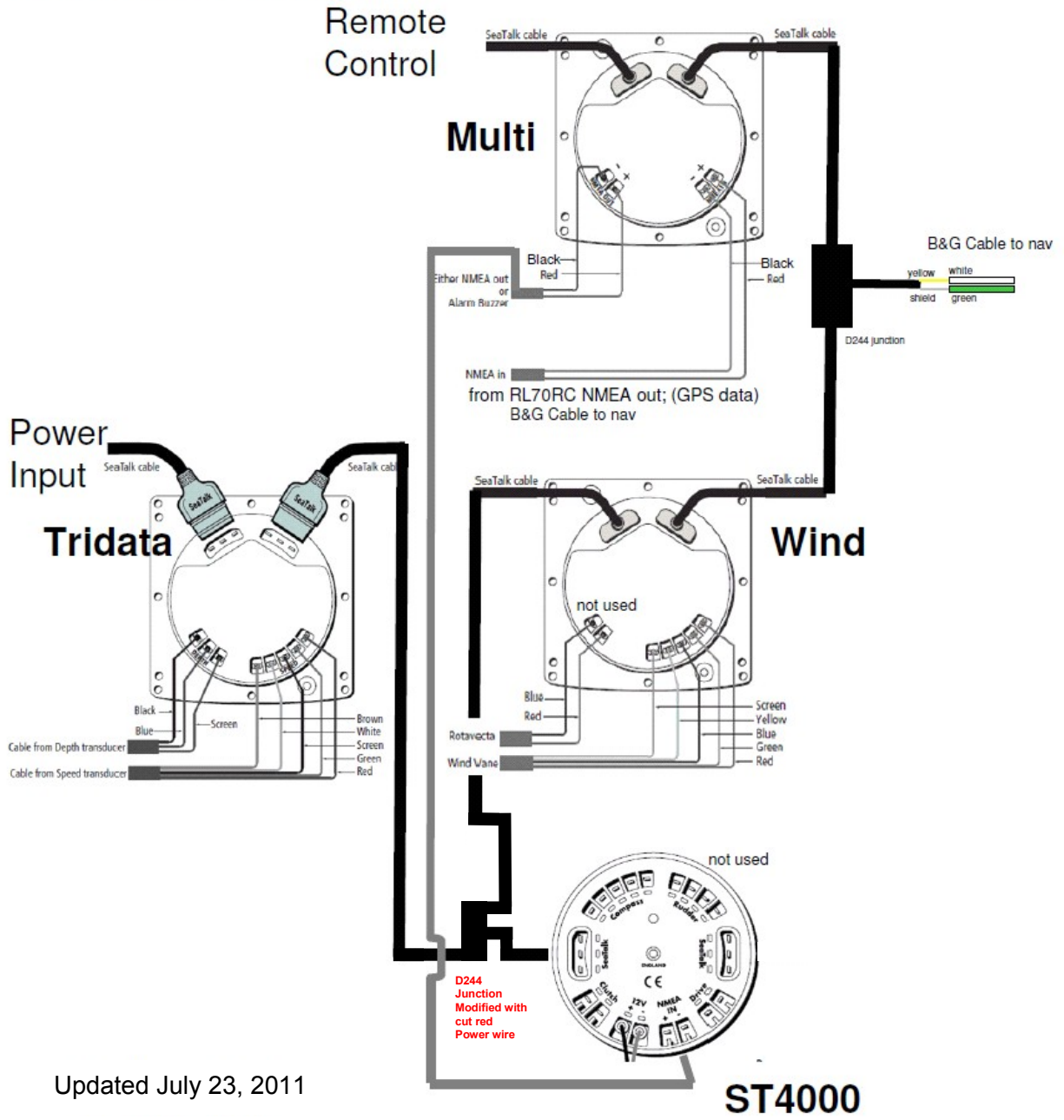


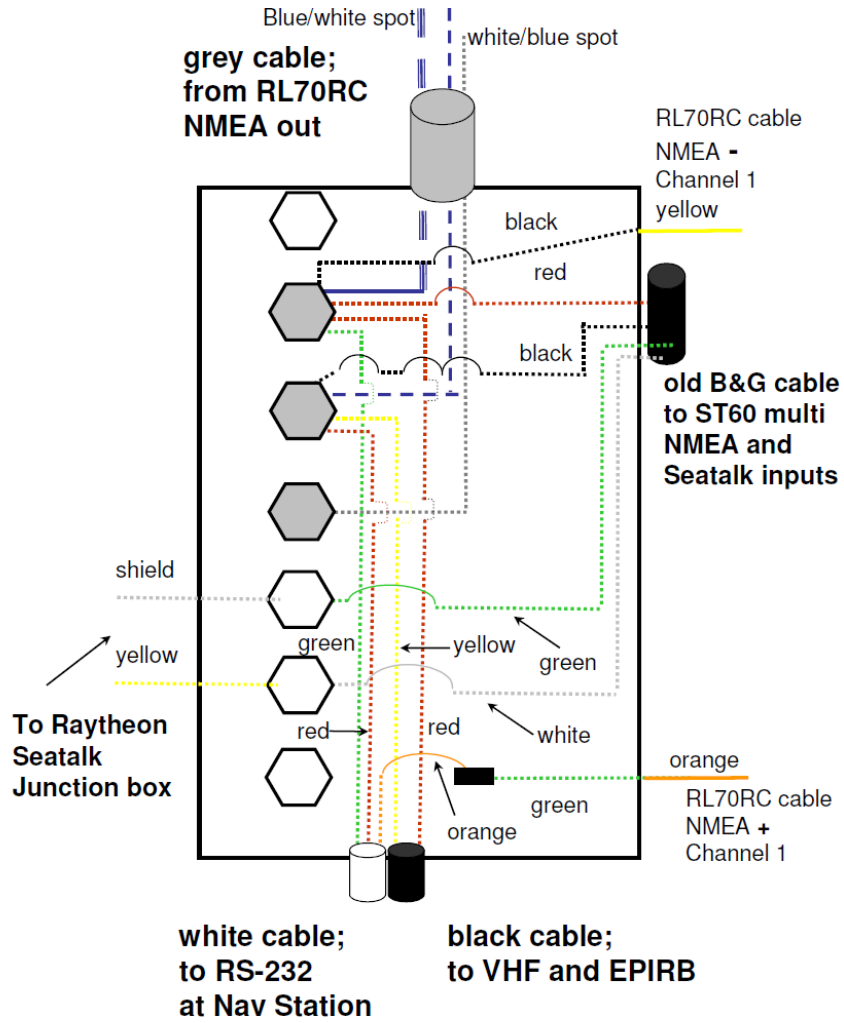
Instrument Cluster Wiring Diagram



Updated July 23, 2011

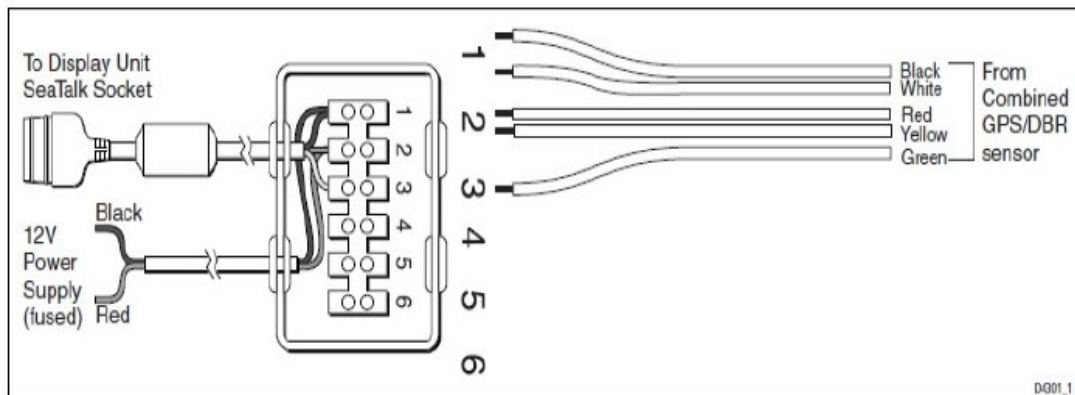
ST4000

**Wiring in old B&G
junction box**



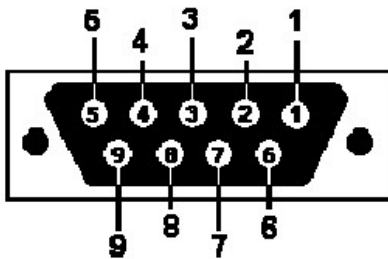
Raymarine 114D dGPS and Junction Box Wiring Diagram Computer Serial DB9 Wiring

to RL70RC



Seataalk from B&G junction box

shield ————— to pin 1 above
yellow ————— to pin 3 above



To B&G junction box

Pin 2 Red Computer RX (RL70RC NMEA out)

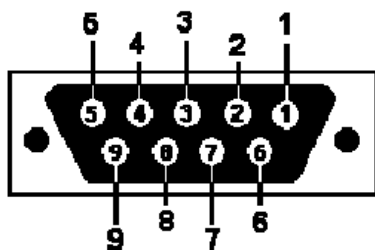
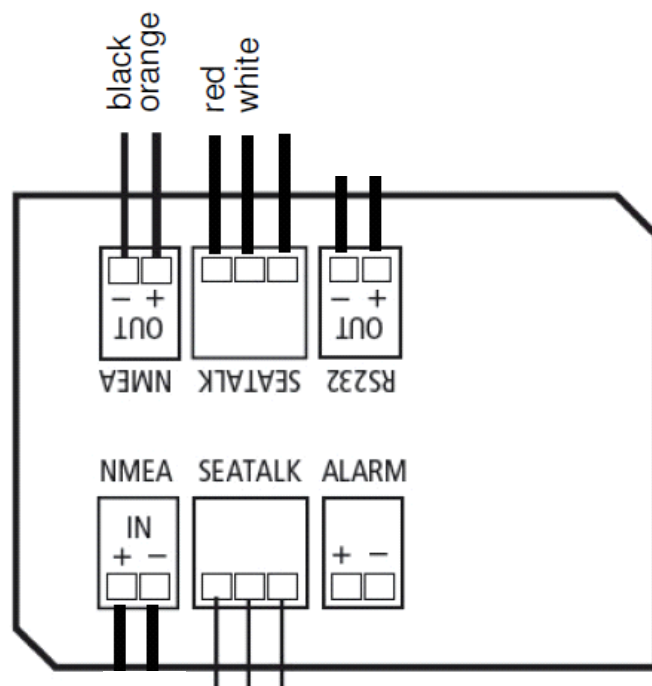
Pin 3 Orange Computer TX (RL70RC Ch1 NMEA+)

Pin 5 Green Ground and RL70RC Ch1 NMEA-

DB9 #1

Connections to Raymarine 81156 PC/Seataalk/NMEA interface box

To Brookhouse MUX (including red and white 12V lines from Seataalk feed)

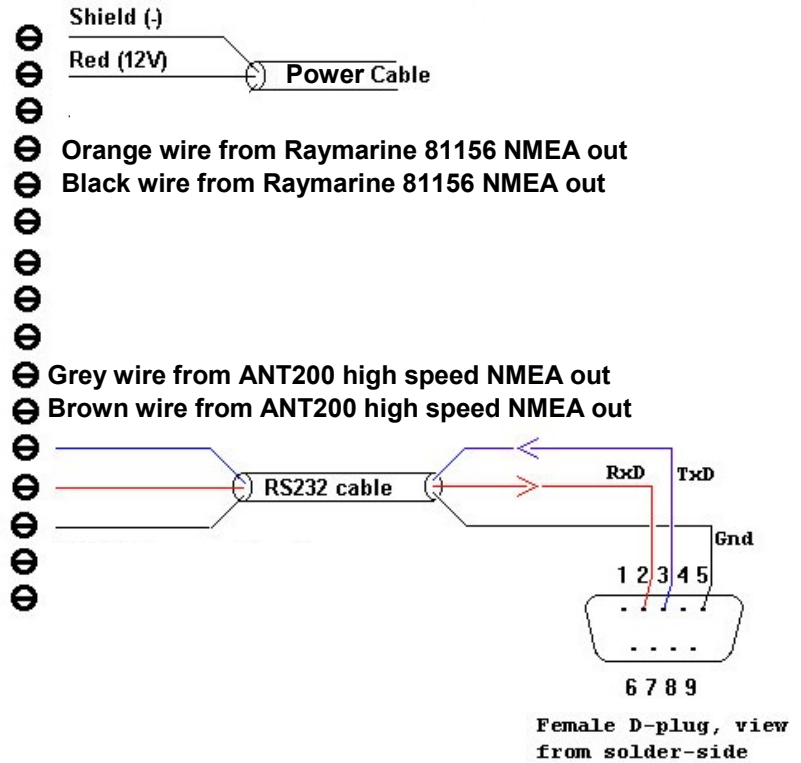
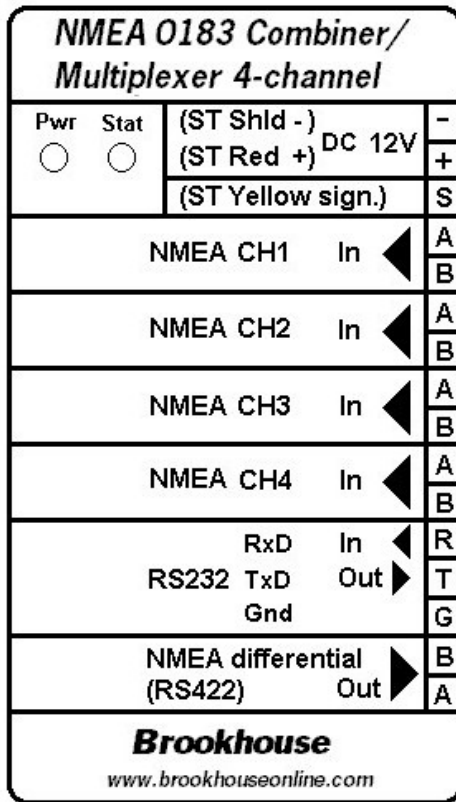


- Pin 1 Green
- Pin 2 Black -> gold in pair -> Brookhouse output
- Pin 3 White -> loose silver -> Brookhouse input (white wire)
- Pin 5 Shield Ground -> silver in pair -> Brookhouse common
- Pin 9 Red

DB9 #2

July 1, 2011

Connections to Brookhouse NMEA/AIS Multiplexer



Connections to ANT200 AIS Receiver (made at Brookhouse MUX)

